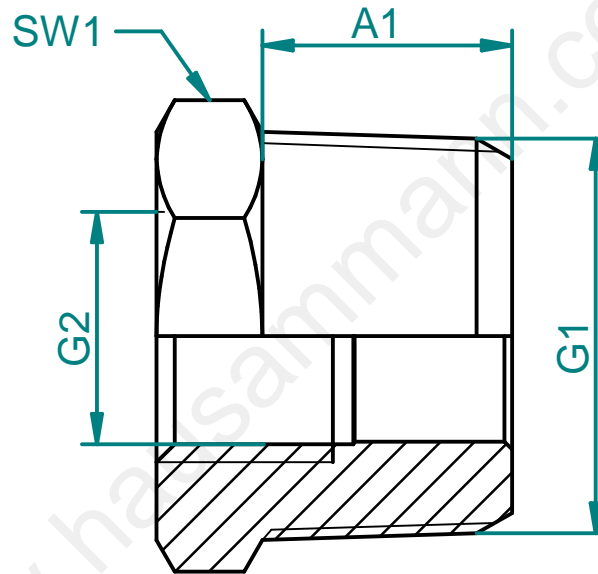


General tolerances ISO 2768-m						Index	Date	Visum	Modification	Index	Date	Visum	Modification
Basic-size	...6	> 6 ...30	> 30 ...120	>120 ...400	> 400 ...1000								
medium	±0.1	±0.2	±0.3	±0.5	±0.8								



Specifications points D,K,H	
D= doc.points	
K= critical	
H= main	

		Material:															
		Messing blank															
		Scale															
		2:1															
		<table border="1"> <tr> <td></td> <td>Date</td> <td>Visum</td> <td>Phone</td> </tr> <tr> <td>plotted</td> <td>15.04.11</td> <td>E.Z</td> <td></td> </tr> <tr> <td>checked</td> <td></td> <td></td> <td></td> </tr> </table>			Date	Visum	Phone	plotted	15.04.11	E.Z		checked					
	Date	Visum	Phone														
plotted	15.04.11	E.Z															
checked																	
		38.590															
		Solid Edge		Format A4 Index 00													
Accord-draw.no.:	Origin-draw.no.:																
Replacement for:	HAUSAMMANN KOMponenten PRODUKTION SYSTEME																
© 2010, Für dieses Dokument behalten wir uns alle Rechte vor.		© 2 010, Nous nous reservons tous les droits sur ce document		© 2 010, We reserve all rights in connection with this document													